

ALUZ

Architectural Lighting



**A7 Series Auditorium / Theater**

**Discover a brand new world of  
accent lighting possibilities.**

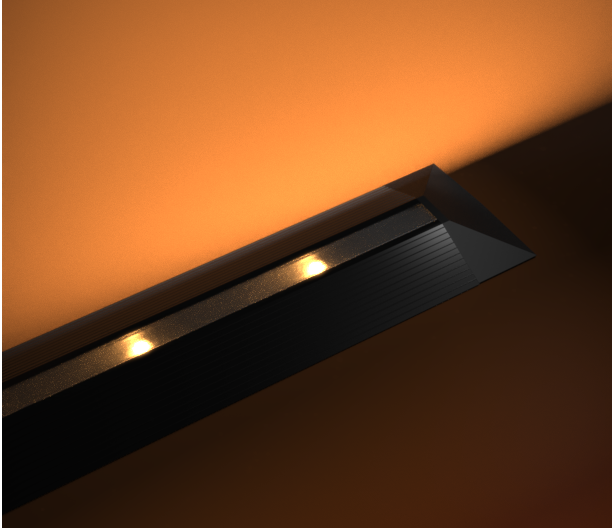
Say hello to ALUZ – the preferred  
partner of lighting professionals.  
We manufacture architectural  
lighting solutions to your exact  
specifications.

**ALUZ**

**Architectural Lighting**

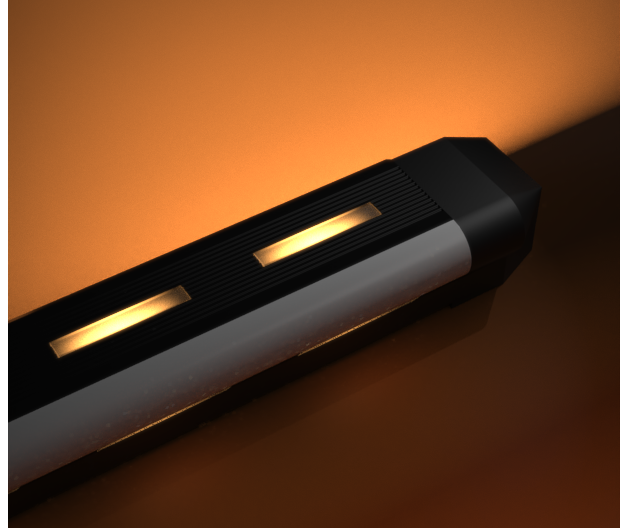
**Designers  
Guide to  
Auditorium /  
Theatre  
Lighting  
Solutions  
A7 Series**





## ZYKU

ZYKU is your ideal low voltage **theatre aisle** or **path lighting** solution manufactured to your exact specifications. It is conveniently **field cuttable** for all and any path lighting whether it is **carpet to floor**, **carpet to carpet**, or **floor to floor** applications.



## ZABA

We built ZABA as the ideal solution for all your low voltage **step lighting** applications. It is field trimmable and can be manufactured to your exact specifications whether applied to **bare concrete**, **carpeted**, or **recessed steps**.



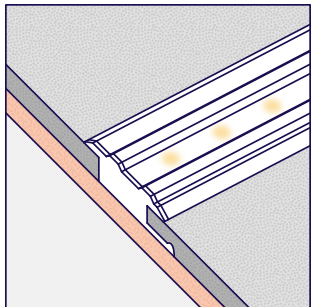
## ZUTY

Meet ZUTY, your low voltage **wall lighting** solution to light up your aisles, pathways, or steps evenly. ZUTY provides a safe environment to enter or exit your venue and can be manufactured to your exact specifications.



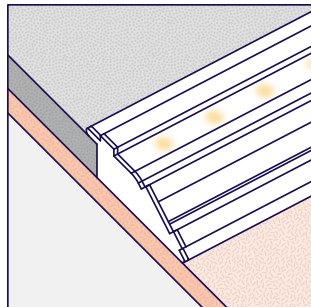
# MOUNTING STYLES

Mounting styles have been thoughtfully designed to overcome installation obstacles. Multiple design ideas can be achieved with these versatile solutions.



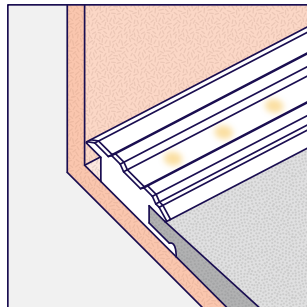
## Carpet to Carpet

The fixture transitions to carpet on both sides.



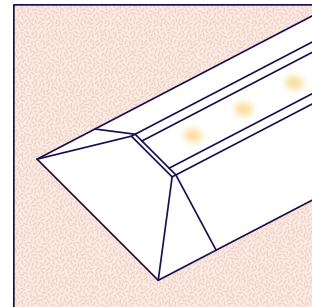
## Carpet to Floor

The fixture transitions to carpet on one side, and angles downward to the floor on the other side.



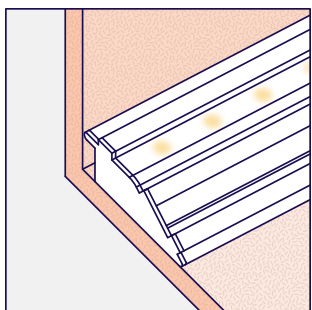
## Carpet to Wall

The fixture transitions to carpet on one side, and is flush with the wall on the other side.



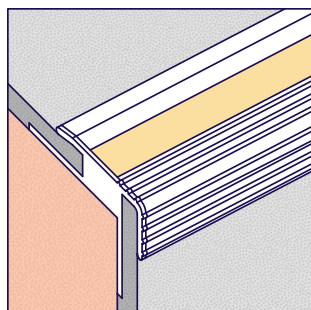
## Floor to Floor

The fixture angles downward to the floor on both sides.



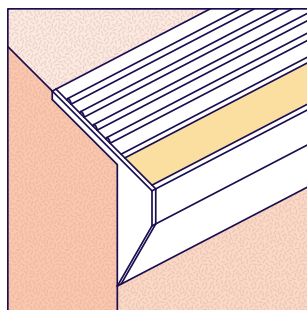
## Wall to Floor

The fixture is flush with the wall on one side, and angles downward to the floor on the other side.



## Carpeted Steps

The step fixture transitions to carpet on both the riser and tread side.



## Bare Steps

The step fixture is mounted directly to a bare concrete or wood step.





# ALUZ

Architectural Lighting

1170 N Red Gum St, Anaheim, CA 92806 | 866.ALUZ.LTG | [aluz.lighting](http://aluz.lighting)